



**hoşseven**  
ISI VE YALITIM SAN. TİC. AŞ.



FIREPLACE- NATURAL GAS- LPG STOVE

INSTRUCTION MANUAL

MODEL

HERMETIC HDU - 3  
HERMETIC HDU - 5  
HERMETIC HDU - 8  
HERMETIC HDU - 9  
HERMETIC HDU - 10  
FUNNELED HBS - 12 HBS - 9  
HERMETIC FIREPLACE HS 8,10  
PLASMA FIREPLACE HP 3,5,8,10

## GENERAL SAFETY WARNINGS



Do not install your hermetic stove into traditional chimney



Hose of your stove must not be longer than 130 cm.



Absolutely use hood with 300mmSS constant pressure for the usage of LPG



Tighten hose terminations with clamp.



Do not use bottled gas upside down or tilted.



Use TSE certified bottled gas. Do not use crushed and crooked bottled gas.



Keep bottled gas away from flames. Check gas leakage with soap bubbles and special liquid.



Do not put any container having liquids in it on your stove.

Attention! failures causing from these reasons are not covered by this guarantee

**WARNING:** Fire ,burning,inhalation and explosion hazard.Keep all flammable object as follows building materials,paper or carton unites away from heater according to the instructions.Never use this appliance in such rooms where there are flammable volatile materials or the following materials,which can get into the device petrol,solvent,thinner,fine grained dusty or unknown cemical materials.



#### CE MARKING

CE marking fulfills the requirement of appliances burning gaseous fuels 90/396/EEC (GD453/2003) directive. Stove comply to.

EN 613 Independent gas-fired convection heaters

UE 2016/426 Gas Appliance Regulation (GAR)

2011/65/EU Directive on the restriction of use of certain hazardous substance (RoHS)

2009/125/EC code design requirements for energy-related products (ErP)

Regular control (e.g: yearly maintenance) of stove must be ensured.

In the replacement of parts of device, only original parts specified by the manufacturer must be used.

## INDEX

1.	Hermetic stove features .....	4
2.	Warnings before installation .....	4
3.	Site Selection .....	4
4.	Installation .....	7
5.	Feature of Vented Stove .....	7
5.1.	Connecting vented stove to the flue .....	8
5.2.	Placement of flue to the stove .....	8
6.	Gas connection type .....	9
6.1	Natural Gas Connection .....	10
6.2	Bottled gas (LPG) Connection .....	10
6.3	Gas Leakage Control .....	11
7.	Commissioning of the device .....	12
8.	Usage of device .....	12
8.1-	Combustion of pilot .....	13
8.2-	Adjusting Ambient Temperatures .....	13
8.3	Extinguishing of the stove .....	13
9.	Cleaning of device .....	14
10.	Technical information .....	14
11.	Gas conversion .....	15
12.	Safety rules .....	15
13.	Transport and shipping .....	15
14.	Important Notes .....	16
15.	Declaration of Conformity .....	18
16.	Producer-Manufacturer Info .....	18
17.	Authorized service centers .....	18

## **1. HERMETIC STOVE FEATURES**

It operates independently from its environment with special smoke duct. It takes necessary fresh air from external environment thanks to special smoke duct, and also it releases exhaust gas with special smoke duct to the external environment. When pilot flame extinguishes due to any reason, system automatically closed itself and secured.

It burns its fuel in high efficiency and with blue flame. Due to superior gas control system, it is ignited easily by only pressing lighter button. It is pilot light safety. In case of extinguishing flame, it has a magnet valve safety system, which cuts gas automatically. It has minimum and maximum combustion setting to provide fuel savings. The efficiency is increased due to the special design of combustion chamber.

The combustion can be observed due to special thermal shock resistant glass, which is made from ceramic material. The heated surfaces are covered with high quality enamel. External body color is specially designed in order to complete decoration of your house.

## **2. WARNING BEFORE INSTALLATION**

The specification published by Local Gas Distribution Company must be followed for the installation and the place, where the device will be installed. Follow this instruction manual in order to use your stove in safety and high efficiency. The installation and mounting of stove belongs to the user.

Ensure that your stove will be mounted by authorized service or qualified plumber. Be careful that whether your stove is adjusted for natural gas or LPG or not. Do not touch any parts of the stove except for the matters referred in this instruction manual. Secure the legs of stove with screws.

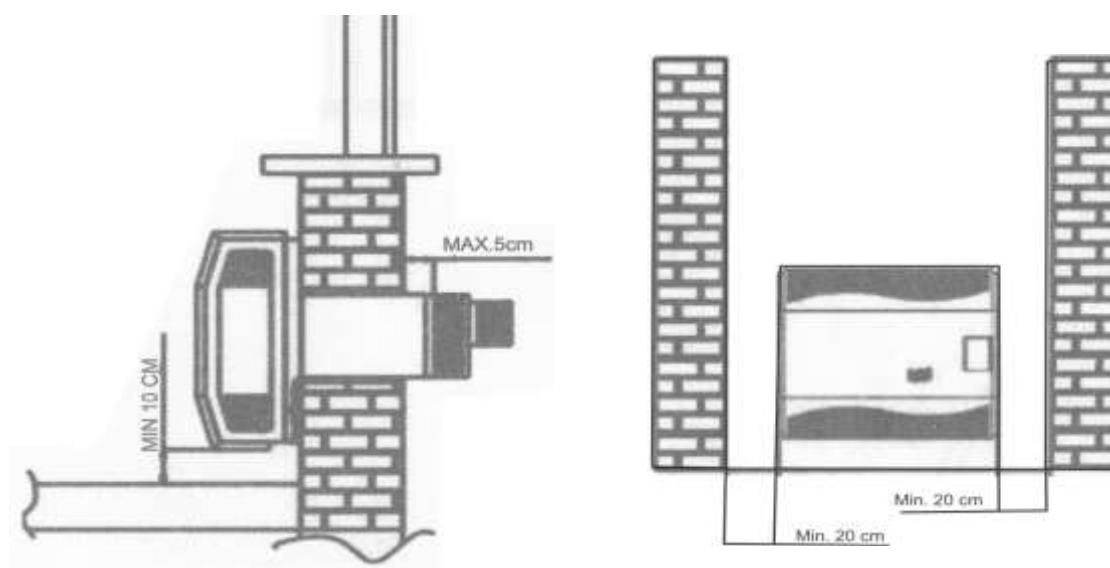
## **3. SITE SELECTION**

Your natural gas stove is a device with atmospheric burners, which takes air from external environment as independently from internal environment and discharge burned gases. The installation of the device must be carried out in the wall, which has facade to the outside atmosphere.

Hermetic kit installation is not permitted in the following locations. Closed balcony, underpasses and building entrances, staircase, areas and building spaces, which are narrow and air circulation is not available, etc.

The wall, where device connection will be done, must be fireproof and resistant to minimum 270C. The outlet in the external wall cannot be opened to everywhere. Take measures by replacing protective marble, plates, etc. under your stove. Do not connect hermetic kit to the flue.

Hermetic kit connection must be at least 60 cm in each direction of flammable surface coating and vertical distance must be at least 1.5 m to the roof eaves. In the area shown in the figure; the distance of location, where hermetic kit holes are connected from wall, must be as shown in the figure.



**Figure 1:** Stove mounting distances

**WARNING:** The specified fire protection distance as shown in the instruction .It must be strictly kept and checked. The installation must comply for valid standards. Disregard of these instruction can result in death ,injury or property damage.

**WARNING:** The installation of appliance must be only executed by authorized persons. Quarantee of appliance can be ensured only in this case.

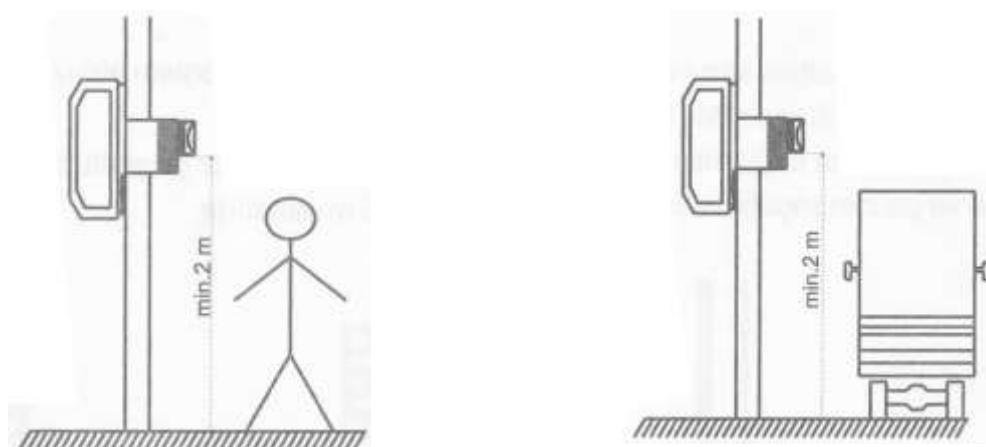
**WARNING:** Before every maintanance ,the appliance must be turned off electrical and gas Supply.

Disregard of these instruction can result in death ,injury or property damage

Diameter of hole to be drilled on the wall is 27 cm. Hermetic stove must be mounted to the wall, of which external side is open. Lower edge of the exhaust duct outlet mouth must be at least 30 cm above from ground. Wall thickness must be maximum 42 cm, minimum 20 cm. Make sure that minimum 1 cm, maximum 5 cm between air inlet holes and wall surface.

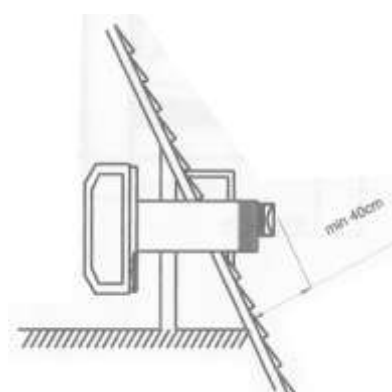
This distance can be adjusted with telescopic flue kit. At least 2,5 meters distance must be available between exhaust gas pipes in the building façade. If stove will be mounted under the window, the distance between lower edge of window and upper edge of pipe must be at least 30 cm.

In the mounting of device to the sidewalk-fronted walls, the distance between exhaust pipe outlet and ground must be 2m. For places such as semi-basement, on condition that to take safety measures it can be 1 m.



**Figure-2:** Mounting towards pavement

Exhaust gas pipe outlet must be at least 40 cm above the roof surface.



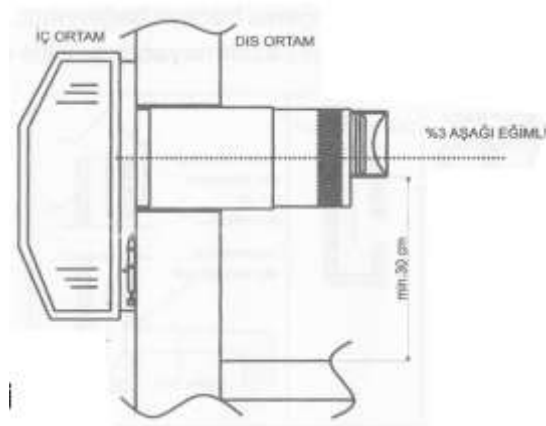
**Figure 3:** Mounting to penthouse

#### 4. INSTALLATION

Remove stove from its packaging by holding its sides. Drill flue hole of your Hoşseven natural gas stove according to wall mounts scheme as shown in Figure 9. Drill screw holes and insert dowels on condition that measures will be taken into account in the same way. Ensure that the wall, where installation to be done, is heat resistant or necessary isolations are done in order to make it resistant, due to rear body of the stove will be heated during combustion.

To remove body completely by removing screws on the each side of device. Replace exhaust gas pipe to the combustion chamber by fixing with screws and mount it with 4 screws as shown in Figure 7.

Hermetic kit must be installed as 3% inclined downwards.



**Figure 4:** Flue installation slope

The distance between gas outlet and external wall surface must be at most 5 cm. Please note this distance. Gas outlet pipe of your stove is telescopic; make distance adjustment according to this standard size.

Reinstall body to its place, after make necessary connections and tests.

#### 5. VENTED STOVE FEATURES

It is used by connecting flue in its environment. Gas connection is located outside of the stove, it is not necessary to dismantle any part for connection. It is connected to flue by using  $\varnothing$  13cm pipe thanks to adaptor provided with your stove. Special flue safety system completely turn-off your stove, when flue draught is insufficient or backlash of flue. It prevents the spreading of flue gas to the environment. It burns its fuel in high efficiency and with blue flame. It is easy to use due to superior gas control system. Due to Piezo igniter system, it is ignited easily by only pressing lighter button.

It is pilot light safety. In case of extinguishing flame, it has a magnet valve safety system, which cuts gas automatically. It has minimum and maximum combustion setting to provide fuel savings. The efficiency is increased due to the special design of combustion chamber. The



combustion can be observed due to special thermal shock resistant glass, which is made from ceramic material. The heated surfaces are covered with high quality enamel.

### 5.1 CONNECTING VENTED STOVE TO THE FLUE

Make sure that flue, which will be connected to stove, is clean and well draught. Connect your stove to shunt (indirect) or free-standing flue. Do not mount flue pipe to the flue of poor quality or do not mount as directly remove outside.

Connect your stove to the flue by using pipe of 13 by means of adaptor (8-13)

Connect stove pipe to the flue in an upward slope of 3%

Adjust the part of pipe inside of flue as not to reduce flue draught

Ensure sealing by closing the part of pipe inside of flue with non-combustible material (plaster, etc)

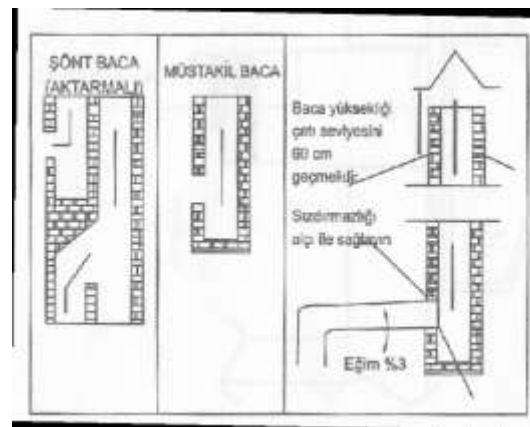
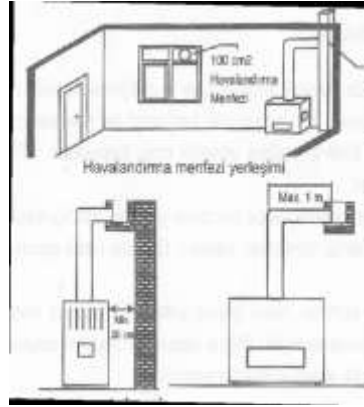


Figure 5: Flue connection

### 5.2 REPLACEMENT OF VENTED STOVE

Remove stove from its packaging and place it on a flat surface. Place stove to the any edge near flue and gas valve as free air flow will be available. Make sure you have at least 20 cm space between the stove and the wall. Figure 6

Walls and floors must be temperature resistant for at least 8 C If necessary, take measures by replacing marble under and behind of stove. 100 cm<sup>2</sup> air vents must be installed to the fixed part of outer window of the room, where stove is located.



**Figure-6:** Vented stove installation location

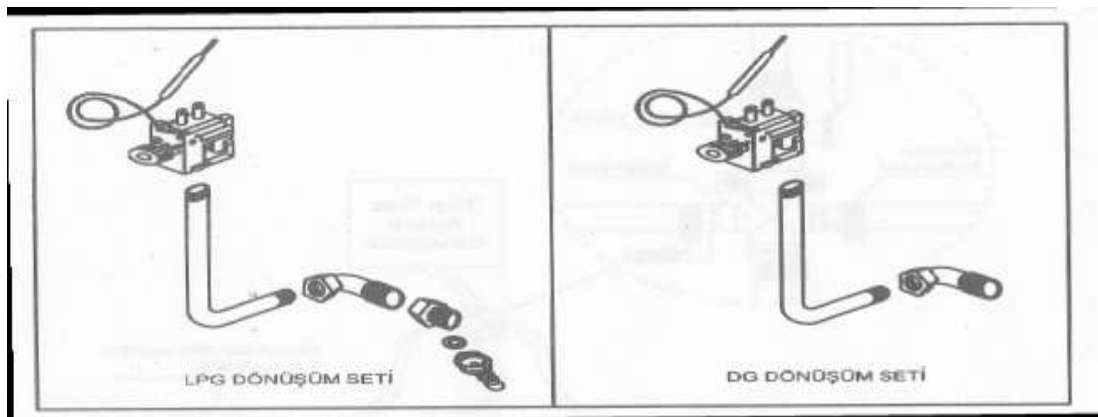
## 6. GAS CONNECTION TYPE

Gas connection of device must be done according to ISO 07.01.1994

The clamp must be done to the 90 bracket end on device;

with 1/2" bushed and sealed connection for NG

ø 8 mm hose for LPG.



**Figure-7:** Gas connection type

- Stove rolled-out as natural gas adjusted or LPG adjusted.

- To which gas your stove is adjusted is written on device or on package.

Call Hoşseven Authorized service, when you want to use with other gas.

- Make sure that stove is adjusted to the gas (Natural Gas / LPG) to be used. Please buy stove, which is adjusted for appropriate gas.

**WARNING:** The appliance can only be operated by gas family defined on the data label of appliance.

Nominal values of gas supply pressure;

\* For Natural Gas G20 / 20 mbar

\* For LPG G30/30 mbar.

Allowed maximum gas pressure 50 mbar.

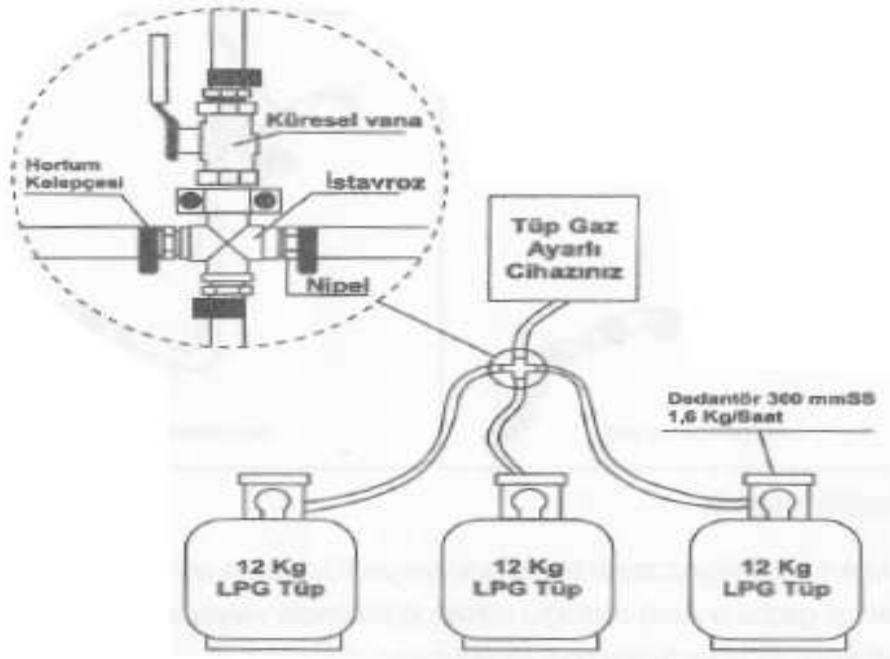
**WARNING:** If the pressure of gas supply is higher than 50 mbar ,in this case using a gas pressure regulator. The installation must comply for valid standards. Disregard of these instruction can result in death ,injury or property damage.

### **6.1 Natural Gas Connection**

- Make sure that the stove is adjusted for natural gas.
- Connection of your stove to the natural gas must be prepared and approved according to request of existing standards and local gas distribution companies before the installation.
- Make competent engineers from gas distribution companies do this project.
- Make authorized and qualified person/organizations do natural gas installations.

### **6.2 LPG Connection**

- If your stove is adjusted for LPG, pressure of 30mbar, at least 1,6 kg hour flow regulator must be used in absolute way.
- Regulator with the pressure of 50 mbar must be used.
- In the usage of stove with LPG, it is recommended to use TSE approved 2 x 12 kg tube.
- Otherwise, it will cause sufficient gas flow cannot be taken.
- Tubes must be not placed cold and snowy environments and near furnace and oven.
- Tubes must not be titled and not turn upside down
- Damp cloth to the mouth of tube, when gas leak is formed for any reason.



**Figure 8:** Tube connection type

Prefer the collector set, of which figure is given above. Do not use pipe collector due to leakage, do not use material such as casting due to it is not appropriate for gas pressure. TSE logo, hose document and manufacturing date must be available on used hose. The length of hose must be at most 130 cm from device to collector. It must be at most 50 cm from collector to regulator.

### 6.3 Gas Leakage Control

Gas leakage controls must be done with soap suds or special liquid. Leakage control must be carried out in connecting elements between device and gas installation and joints.

**ATTENTION:** Never make control with the flames.

**WARNING;** This appliance can be used in domestic circumstances

**WARNING;** For your safety, if you smell gas do these following:

- Open Windows
- Dont try to light any appliance
- Dont use electrical swittches
- Dont use any telephone in your building
- Leave from building
- Immediately call your local supplier after leaving the building

Follow the gas supplier's instructions

- If you cannot reach your gas supplier, call the fire brigade.

## 7. COMMISSIONING OF THE DEVICE

After your device is installed according to abovementioned instructions, make Hoşseven Authorized Service do commissioning operations. Otherwise, your device will be outside of scope of warranty.

Hoşseven is entitled to not carry out commissioning operations until electricity, gas connections missing and/or faults are eliminated for installation, electricity and gas connections, which are not complying with Hoşseven service installation instructions. After commissioning of device, the issues regarding to usage of device must be learned from Authorized Service.

Make your Guarantee Certificate to be approved by Authorized Service Station, where you bought your device or which commissioned your device for the purpose of your guarantee certificate will be valid. Guarantee Certificate is located in the back cover of this manual. When gas smell is available in the environment, where your device is located, turn off gas valve, tube and regulator is available, open door and windows. Do not use lighter, matches, electric switches and phone.

## 8. OPERATION OF APPLIANCE

Before operating stove, make device installed as specified in the mounting section of instruction manual. Carry out necessary leakage controls after installation. Turn on gas supply tap of your device after making sure that device is fully connected to gas line. The stove is equipped with a room thermostat. The thermostat button is on the left side of the stove. Information is available in the figure on thermostat button.

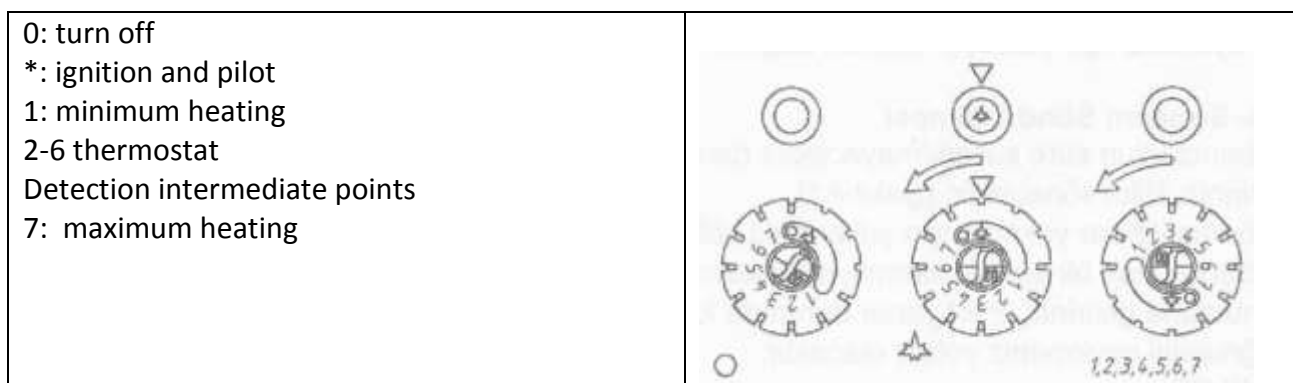


Figure -A

Figure-A1

Figure -A2

Figure -A3

Thermostat switch status	1	2	3	4	5	26	7
Approximate ambient temperature (° C)	13	17	21	25	28	32	35

Table-1

In the various positions of thermostat button (1,2...7), thermostat opens and closes gas path according to temperature in the environment, where stove is placed. For example, when environment temperature is 17 C, stove opens gas path in approximately in 3 position and burner starts to burn.

When the temperature, which is detected by thermostat end, is above the set temperature, main burner is turned off and only pilot is combusted.

IMPORTANT NOTE: If your stove is not active in lower positions, this situation is the FEATURE OF THERMOSTAT, IT IS NOT FAILURE.

### **8.1- Ignition of pilot flame**

Turn on main gas valve. Bring thermostat button (\*) to the position as shown in Figure-A2 and press button. When button is pressed, hold it for 8-10 seconds, and at the same time you can observe pilot flame is combusted by pressing lighter button. You can observe pilot is combusted from windshield. For Hp-10 and HS-10; observe pilot flame is combusted by holding button in pressed position for 8-10 seconds.

After pilot is combusted, hold thermostat button for 10 seconds.

Pilot must continue combustion after release thermostat button. If pilot extinguishes, repeat above procedures.

Especially in first combustion, your stove may be combusted late due to air inside of pipes.

### **8-2 Adjustment of Ambient Temperature**

Bring environment temperature, thermostat button to the desired position between minimum (1) and maximum (7) conditions in the counterclockwise. In the selected position in Figure-A3, thermostat will open main burner flame automatically and will control environment temperature.

You can ensure maximum combustion by bringing thermostat position to the (7).

You can ensure minimum combustion by bringing thermostat position to the (1-2).

The approximate temperature distribution diagram regarding this adjustment is shown in TABLE-1.

### **8-3 Extinguishing of the stove**

If your stove will not be used for a long time (full time) bring thermostat button to the (0) position. The pilot burner will extinguish. (Figure-A1)

Repeat above mentioned operations (3.1) to combust your stove.

If you will not use your stove for a short time (a few hours) bring thermostat button to the (\*) position. Pilot will be active and it will be necessary to turn thermostat button to combust main burner.

**ATTENTION!**

In case pilot flame out or gas cuts off for any reason, bring thermostat button to the (0) position, and wait for 5 minutes before re-combusting pilot.

**WARNING:** If the burner, gas valve disassembling, it must be made by means of only authorized persons.

Disregard of these instructions can result in death, injury or property damage

**WARNING:** Don't lay down an object on the appliance that can be burned and melted.

**WARNING:** Don't open the windows for ventilation of room when the appliance is operated

**WARNING:** Don't touch by hand on hot surfaces. Avoid to touch sharp edges and screw

**WARNING:** Appliance flue gas pipe inside must be checked before starting the heating season by means of authorized person. It can be blocked with dust, trash, etc.

**9. CLEANING OF DEVICE**

Clean your device when it is cold. Dry your device immediately, after cleaning it with damp cloth. Do not use any cleaning agent, detergent for cleaning. It is recommended to make control of your stove in each year and to make authorized service to do general maintenance at least every other year.

**10. TECHNICAL INFORMATION**

MODEL	HDU-3	HBS-12	HDU-10	HDU-5	HDU-8/HHS-9	HP-10	HS-10
N. HEAT POWER (kW)	3,2	11,5	9,5	5,5	7,9/8,7	8	8
TYPE	HERMETIC	FUNNELED	HERMETIC	HERMETIC	HERMETIC	HERMETIC	HERMETIC
THE GAS INLET PRESSURE (DG/LPG)	DG-20 mbar / LPG-30 mbar						
GAS INPUT CONNECTIONS (LPG)	HORTUM BAĞLANTI UCU 3/8"						
GAS INPUT CONNECTIONS (DG)	1/2"						
WASTE GAS PIPE DIAMETER	16cm	13cm	24cm	16cm	20cm	24cm	24cm
ADAPTOR DIAMETER	-	8-13cm	-	-	-	-	-
ELECTRICAL CONNECTION	-	220vV 50Hz1 18w	-	-	-	-	-
GAS FLOW G20 – G30	0,34m/h-280g/h	1,18m/h-850g/h	1,3m/h-820g/h	0,53m/h-430g/h	0,837m/h-600g/h	0,78m/h-600g/h	0,78m/h-600g/h
Nox CLASS	4	3	4	4	4	4	4
CATEGORY-TYPE	2H3B/P-C11	2H3B/P-B11	2H3B/P-C11	2H3B/P-C11			
EFFECTIVE YIELD	%86	%82	%86	%86	%86	%86	%86

**Table-2**

## 11. GAS CONVERSION

Only Hoşseven Stations are authorized for gas conversion of Hoşseven brand devices. For the usage of natural gas; the approval must be obtained from Local Gas Distribution Company. Insert gas valve between device and mains. For Gas mains connection, remove hose end and seal, make R ½ gas pipe connection.

Before winter, make device maintenance done by authorized service (every other year). Also, make flue cleaning done before winter every year. Gas connection of device must be done according to ISO 07.01.1994. The clamp must be done to the 90 bracket end on device with ½ bushed and sealed connection for NG, with ø 8 mm hose for LPG.

DEVICE TYPE	DG (G20) 20 mbar		LPG (G30) 30 mbar	
	Pilot Injector	Burner Injector	Pilot Injector	Burner Injector
HBS12	0,41	3	0,30	1,8
HHS9	0,41	2,5	0,30	1,6
HDU5	0,41	2,0	0,30	1,2
HDU8	0,41	2,5	0,30	1,6
HDU10	0,41	2,6	0,30	1,8
HDU-3	0,41	1,6	0,30	1
HP-10	0,41	2,4	0,30	1,6
HS-10	0,41	2,4	0,30	1,6

**Table-3**

## 12. SAFETY RULES

When gas smell is available in the environment, where your device is located, turn off gas valve, tube and regulator is available, open door and windows. Do not use lighter, matches, electric switches and phone.

## 13. TRANSPORTATION AND SHIPPING

The issues to be considered during the transport and shipping is stated on the packaging. Store package box in order to use while transporting and when your stove is not used. Do not damage the environment with packaging waste.

### ATTENTION!

Keep your packaging waste and box out of the reach of small children in terms of environment and life safety.



PROBLEM	CAUSE OF FAILURE	SOLUTION
Pilot does not burn	-Close regulator and natural gas valve -Pilot injector is clogged. Hose is long or air is accumulated in connection pipe	-Open valve -Clean injector. Hose must be maximum 130 cm. While holding pressed lighter, continue to press thermostat button for a while. -if the problem persists refer authorized service.
Pilot dies downs	Thermostat button cannot be pressed in pilot position for enough time.	Hold pressed for 15-20 seconds. Check records and sensor terminals Tighten if it is loose. -if the problem persists refer authorized service.
Stove dies down completely after working for a while.	- gas inlet pressure is high	LPG must be 30m bar, natural gas must be 20m bar. -if the problem persists refer authorized service.

**Table-4****14. IMPORTANT WARNINGS**

The issues regarding PRODUCT GUARANTEE CONDITIONS, which must be paid attention by consumer:

Product Guarantee, which is provided by Hoşseven A.Ş does not cover defects and losses arising from improper usage of the product.

Accordingly, the following cases were brought to your attention:

1. When you buy your product, make guarantee certificate of your product approved by authorized seller. Make your first run of the product done by authorized service and make guarantee certificate approved by service personnel.

2. In case seller and authorized service necessary approvals are not available on guarantee certificate and if erasure, scrapings are done in guarantee certificate, the deletion of original serial number on products, the product will be processed as outside of the guarantee scope.

3. Use your device as stated in the mounting and instruction manual. The damages and losses arising from improper usage will not be covered by guarantee scope.

4. The possible damages, which may occur during shipping after delivery date, are outside of the guarantee scope.

5. The damages and failures arising from high, low or unstable voltage, faulty electrical installation, voltage value unsuitable for product, over current passing over device, phase transition to the neutral or earth circuit (phase overlap) are outside of the guarantee scope.

6. The damages and faults caused by natural disasters, fire, flooding, high pressure, weather conditions, which are not caused by product are outside of the guarantee scope.

7. The failures and problems of the stove arising from installations and equipment installations are outside of the guarantee scope.

8. Damages and failures in case of improper usage of LPG gas according to usage instructions (liquid in gas valve, etc)

9. The intervention of people outside of authorized service personnel for maintenance, repair or for another reason, will leave device outside of the guarantee scope.

10. Damages and failures of stove arising from changing operation settings, which are compulsory to be adjusted by authorized service or changing operation parameter adjustments by unauthorized person are outside of guarantee scope.

11. Damages and failures arising from fail to fulfill maintenance and controls, which are necessary to carry out periodically, are outside of guarantee scope.

12. The seller, dealer, agency and representative is responsible for the delivery of the guarantee certificate.

13. The damages and failures arising from carry out flue cleaning and connecting as specified in the standards specified TSE and Gas Distribution Company is under the responsibility of consumer. All possible material and moral damages are outside of the guarantee scope.

14. There must be no flammable materials (curtains, cloth, wood, etc.) over and near device. Otherwise, device will be outside of the guarantee scope and Manufacturer Company will not be possible for material and moral damage.

15. The device failures arising from improper usage of battery lighter of device according to issues stated in this manual are outside of the guarantee scope, manufacturer will not any material and moral responsibility in this situation.

**15. DECLARATION OF CONFORMITY**

Hoşseven Isı ve Yalıtım Tic. A.Ş declares that “HOŞSEVEN” brand natural gas stove is manufactured according to (90/396/EEC GD 453/2003) appliances burning gaseous fuels directive.

**16. MANUFACTURER - PRODUCER INFORMATION**

HOŞSEVEN ISI VE YALITIM SAN. TİC. A.Ş.

Ankara yolu 18. km Barakfakih San. Böl.

Bursa / Turkey

Tel: 0224 384 11 10

Fax: 0224 384 11 14

e-mail: [hosseven@hosseven.com.tr](mailto:hosseven@hosseven.com.tr)

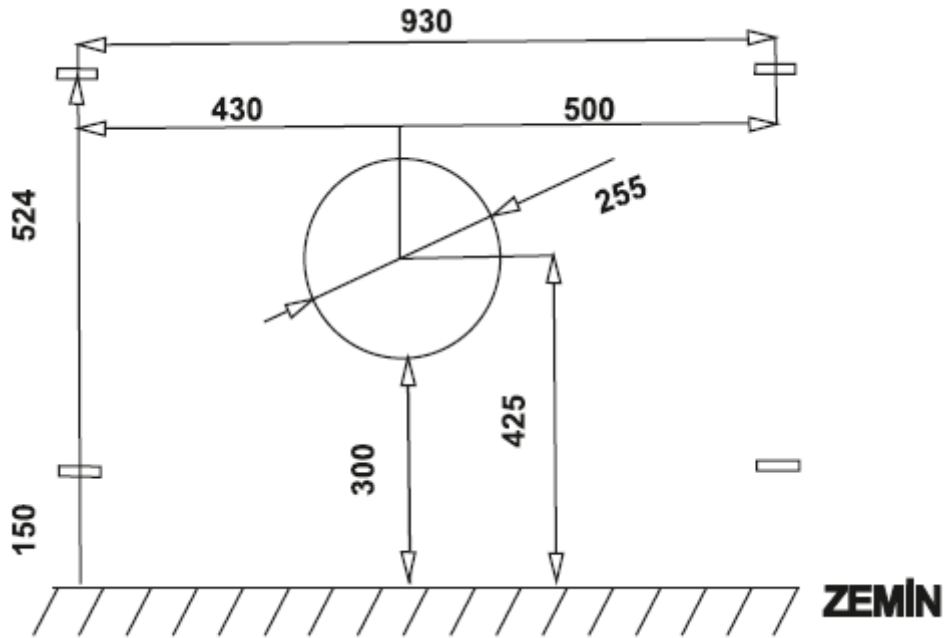
web: [www.hosseven.com.tr](http://www.hosseven.com.tr)

**17. AUTHORIZED SERVICE CENTERS**

Customer Service Headquarter is the Hoşseven Factory, of which full address is given above; Contact information in order to contact with our Regional Authorized Services are given with Authorized Service Manual provided together with your device.

Note: The lifetime foreseen by T.R Custom and Trade Ministry is 10 years on condition that proper usage of device as specified in instruction manual and has authorized services done annual maintenance.

### HDU 10 WALL MOUNTS SCHEME



### HDU 5 and HDU 3 WALL MOUNTS SCHEME

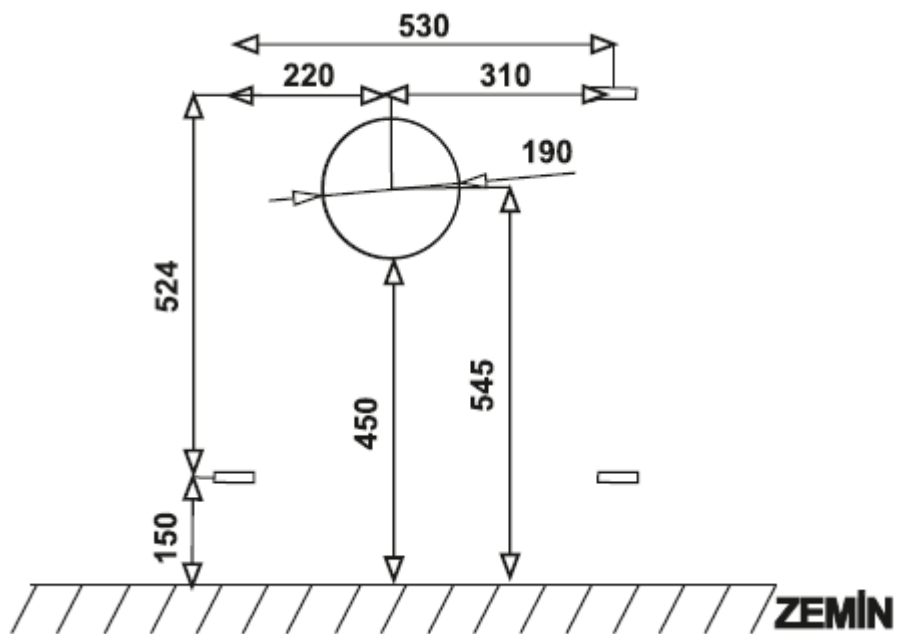


Figure-9: Wall Mounts Scheme

### **GUARANTEE CONDITIONS**

In case natural gas stove is mounted according to manual and used in accordance with instructions stated in manual, and is not intervened with the maintenance-repair purposes by other people outside of Hoşseven Authorized Service:

- 1- Guarantee period starts with delivery of the product. Guarantee period is 2 years.
- 2- Whole goods are covered under guarantee, including all parts.
- 3- Goods repair time is at most 20 business days. This period starts with notification date of relevant break down of the goods to the service station or seller in the warranty period, also this period starts with delivery date of goods to the authorized service station outside of the warranty period. In case breakdown cannot be eliminated within 10 business days, Hoşseven is obliged to allocate another goods with similar features, for consumer usage until repair is completed. In case goods break down during warrant period, repair time is added to warranty period.
- 4- In case goods are broken down under guarantee cover due to material, workmanship and installation failures, the process will be carried out without requesting replaced parts price or no charge under any name.
- 5- In case consumer uses free repair right, if goods:
  - breaks down again in at least four times within one year, or six times within guarantee period specified by manufacturer-producer and/or importer from the delivery date of goods to consumer, and this failure makes impossible to benefit from goods, on condition that under guarantee period,
  - Exceeding the maximum time required for the repair,
  - Absence of service station of company, service station,
 Consumer can demand from seller, goods refund, price deduction on the rate of defective goods or if possible, to replacement with goods, which is free from defects. Hoşseven evaluates this request. If appropriate, Hoşseven meets consumer demands. Hoşseven A.Ş is responsible to fulfill this demand.
- 6- The failures arising from improper usage of the goods is outside of the scope of guarantee.
- 7- For the issues arising from guarantee certificate Consumer may apply Custom and Trade Ministry, General Directorate of Consumer Protection and Market Surveillance.

### **TERMS OF GUARANTEE ARE INVALID IN THE FOLLOWING CONDITIONS;**

- 1- Defacing record labels and guarantee certificate,
- 2- Damages and failures arising from usage of product as contrary to the issues set out in the instruction manual.
- 3- Damages and failures arising from improper installation, improper installation and incorrect fittings.
- 4- Damages and failures caused by maintenance and repairs carried out by people outside of authorized service,
- 5- Damages and failures arising from transportation, unloading-loading, physical shock (shock, fractures, scratches, etc.) and chemical effects,
- 6- Damages and failures caused by fire and natural disasters,
- 7- Damages and failures arising from voltage low-redundancy, floating outlet usage, faulty electrical installation,

The repairing of abovementioned failures are carried out for a fee. Guarantee is valid only for failures that occur in the product and in the period stated in the other side of the document, No rights and compensations can be claimed under any name other than these.

In case seller shall not fulfill its responsibility regarding filling up Guarantee Certificate (delivery date and place, invoice date and number, etc) during selling, production date written in the product registry label will be taken into account for start of guarantee. In case any alterations made on guarantee document, removing and defaced of original serial number, this guarantee will be invalid.

## CERTIFICATE OF WARRANTY

**Document Number:** 116242

**Document Issue Date:** 31.08.2012

**Document Expiry Date:** 31.08.2014

The use of this certificate was permitted by the Ministry of Trade and Industry General Directorate for the Protection of Consumers and Competition pursuant to Law Concerning the Protection of Consumers Nr: 4077 and the Regulation Concerning the Implementation Principles of the Guarantee Certificate enforced based on this law.

### MANUFACTURER'S OR PRODUCER'S

**Title:** HOŞSEVEN ISI YALITIM TİC. SAN. A.Ş.

**Address:** Ankara Yolu 18. km BURSA

**Telephone:** 90(224) 384 11 10 (4 line)

**Fax:** 90(224) 384 11 14

### PRODUCT'S

Type :

Brand :

Model :

Banderol and serial nr. :

Delivery date and place :

Maximum repair time :

Guarantee period :

### SELLER COMPANY'S



Title :

Telephone :

Fax :

Invoice date and nr. :



 <p><b>hosseven</b> ISI VE YALITIM SAN. TIC. AŞ.</p> <p>Ankarayolu 18. Km. Barakfakih Sanayi Bölgesi BURSA Tel: 90(224) 384 11 10 (4 Hat) Faks: 90(224) 384 11 14 www.hosseven.com.tr</p>	<b>FIRST RUN COUPON OF NATURAL GAS STOVE</b>	
<p>The first run of the devices will be carried out by our authorized service as free of charge.</p> <p>1) Do not run your device before our service our service carry out first run.</p> <p>2) Natural gas connection must be done by authorized dealer.</p> <p>3) Guarantee card must be approved for connection coupon will be valid.</p> <p>4) Product will be outside of guarantee scope in unauthorized service interventions.</p>	 <p>Model: .....</p> <p>Type: .....</p> <p>Valve No: .....</p> <p>Serial No: .....</p> <p>Date of sale: .....</p> <p>Seller Company (Seal and signature)</p>	



Authorized Service  
Seal and signature

Customer Name: .....  
Address: .....  
: .....  
: ..... Telephone: .....  
Start-up date: ...../...../201... customer Signature

First run of the machine is carried out by authorized service.

<p style="text-align: center;"><b>①</b></p> <p style="text-align: center;"><b>FAILURE COUPON</b></p> <p>Date of fault : .....</p> <p>Customer name : .....</p> <p>Product nr. : .....</p> <p>Product name : .....</p> <p>Declaration of fault : .....</p> <p>: .....</p> <p>: .....</p> <p style="text-align: right;">Customer's Signature</p> <div style="border: 1px solid black; width: 100px; height: 60px; margin: 0 auto;"></div> <p>Note: These coupons will be given to the customer with guarantee certificate, and they will be sent to Hoşseven with service report by writing necessary information in possible failure cases.</p>	<p style="text-align: center;"><b>②</b></p> <p style="text-align: center;"><b>FAILURE COUPON</b></p> <p>Date of fault : .....</p> <p>Customer name : .....</p> <p>Product nr. : .....</p> <p>Product name : .....</p> <p>Declaration of fault : .....</p> <p>: .....</p> <p>: .....</p> <p style="text-align: right;">Customer's Signature</p> <div style="border: 1px solid black; width: 100px; height: 60px; margin: 0 auto;"></div> <p>Note: These coupons will be given to the customer with guarantee certificate, and they will be sent to Hoşseven with service report by writing necessary information in possible failure cases.</p>	<p style="text-align: center;"><b>③</b></p> <p style="text-align: center;"><b>FAILURE COUPON</b></p> <p>Date of fault : .....</p> <p>Customer name : .....</p> <p>Product nr. : .....</p> <p>Product name : .....</p> <p>Declaration of fault : .....</p> <p>: .....</p> <p>: .....</p> <p style="text-align: right;">Customer's Signature</p> <div style="border: 1px solid black; width: 100px; height: 60px; margin: 0 auto;"></div> <p>Note: These coupons will be given to the customer with guarantee certificate, and they will be sent to Hoşseven with service report by writing necessary information in possible failure cases.</p>
--	--	--